



RoHS compliant

Application Field

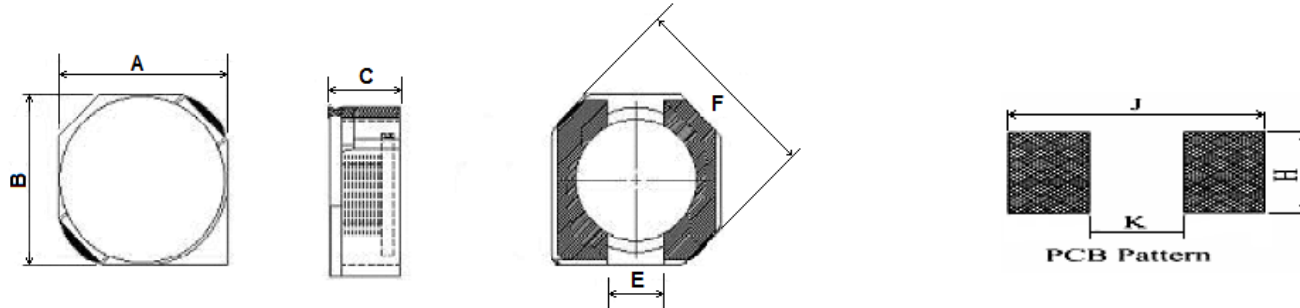
- VTR , OA equipment , LCD television set , Notebook , portable communication equipments , DC/DC converters , etc..

Features

- Magnetically shielded construction
- Compact and thin
- Large Current and Low DCR



Dimension and footprint (Unit : mm)



TSD &TSDA difference between the electroplating to two side.

TYPE	A	B	C (max)	E	F	J	H	K
CRHN0302	4.1 max	4.1 max	1.80					
CRHN4018	4.0 max	4.0 max	1.80	1.0	5.2	4.1	4.1	1.2
CRHN5018	4.7±.3	4.7±.3	2.0	1.5		5.0	5.3	1.5
CRHN5024	4.7±.3	4.7±.3	2.4	1.5		5.3	5.3	1.5
CRHN5028	4.7±.3	4.7±.3	3.0	1.5		5.3	5.3	1.5
CRHN6018	5.7±.3	5.7±.3	2.0	2.0		6.3	6.3	2.0
CRHN6028	5.7±.3	5.7±.3	3.0	2.0		6.3	6.3	2.0
CRHN7018	6.7±.3	6.7±.3	2.0	2.0		7.3	7.3	2.0
CRHN7025	6.7±.3	6.7±.3	2.5	2.0		7.3	7.3	2.0
CRHN7026	6.7±.3	6.7±.3	2.8 Ref	2.0		7.3	7.3	2.0
CRHN7028	6.7±.3	6.7±.3	3.0	2.0		7.3	7.3	2.0
CRHN7038	6.7±.3	6.7±.3	4.0	2.0		7.3	7.3	2.0

General Specification :

1. Storage temp : -40℃ --- +125℃
2. Operating temp : -25℃ --- +105℃
3. Resistance to solder heat : 250℃ 10 secs.

