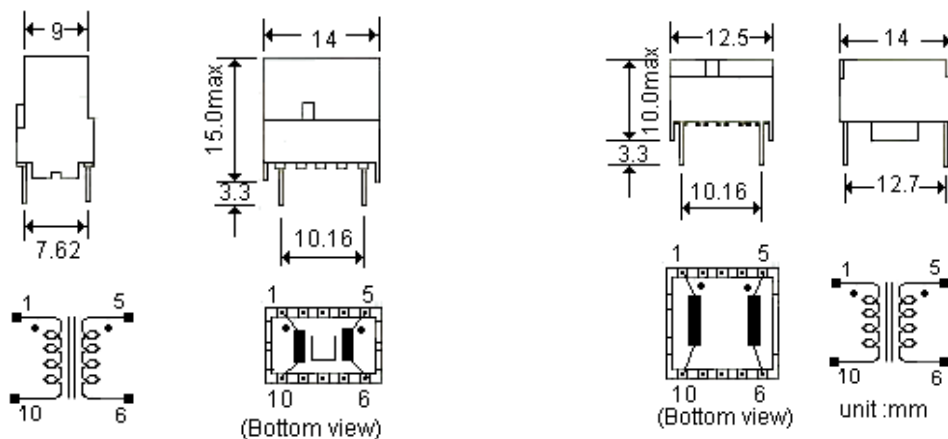


MTC 21100 SERIES – 250VAC, 0.3A to 1.0A



PART NO Vertical type	PART NO Horizontal type	Inductance Per winding	R DC mΩ Per winding	Rated per (A) winding Current
MTC21100-01-E	MTC21150-01-E	0.5mH	45	1
MTC21101-E	MTC21150-E	1.0mH	180	0.3
MTC21102-E	MTC21151-E	1.0mH	100	0.5
MTC21103-E	MTC21152-E	1.0mH	55	1
MTC21103-E	MTC21152-01-E (H:9mm)	1.0mH	55	1
MTC21104-E	MTC21153-E	1.5mH	200	0.3
MTC21105-E	MTC21154-E	1.5mH	168	0.5
MTC21106-E	MTC21155-E	2.2mH	286	0.3
MTC21107-E	MTC21156-E	3.3mH	339	0.3
MTC21108-E	MTC21157-E	4.7mH	664	0.3
MTC21108-A-E	MTC21157-A-E	5.0mH	270	0.4
MTC21109-E	MTC21158-E	6.8mH	827	0.3
MTC21110-E	MTC21159-E	8.2mH	908	0.3
MTC21111-E	MTC21160-E	10mH	972	0.3
MTC21112-E	MTC21161-E	15mH	1070	0.3
MTC21113-E	MTC21162-E	20mH	1260	0.3
MTC21114-E	MTC21163-E	27mH	1490	0.3
MTC21115-E	MTC21164-E	33mH	1640	0.3

* MTC211XX-XX-E last code " -E " : RoHS compliant, *Customer's specifications are welcome.

Rated Inductance : measured at 25°C and F = 10KHz 50mV
 Tolerance: + 50 - 30%
 DC resistance: at 25°C
 Testing voltage 1500V,50Hz ,2 sec,(winding - winding)
 Over temperature of winding < 55°C
 Operating temperature range - 40°C ~ +125°C

