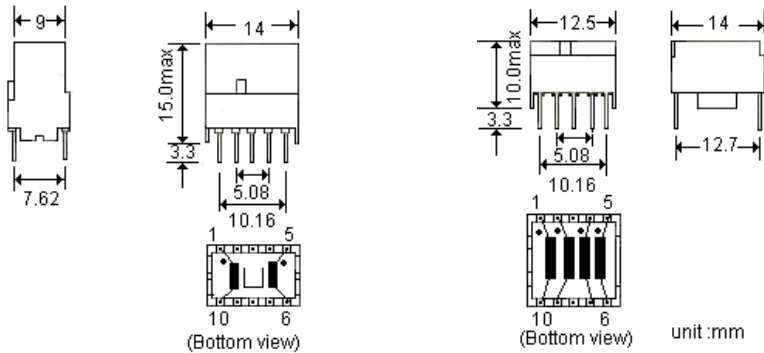


MTC 21700 SERIES – 80VDC/42VAC

MTC 21700 SERIES – (DOUBLE & QUAD CHOKES) 80VDC/42VAC

The MTC21700-series are current -compensated chokes for data and signal lines
Fitted with hi-permeability torroid core. They are mainly used in ISDN equipment.



Case V: Vertical Type, H: Horizontal Type

PART NO	Inductance (mH)	R DC mohm max	Rated Current (mA)	Case Type
MTC21701-01H,V	2 x 1.0	130	300	V. H
MTC21702-02	2 x 1.7	250	600	V. H
MTC21703-03	2 x 2.2	190	300	V. H
MTC21704-04	2 x 4.7	280	300	V. H
MTC21705-05	2 X 10	400	300	V. H
MTC21706-06	2 x 12.5	1500	350	V. H
MTC21707-07	2 x 22	710	300	V. H
MTC21708-08	2 x 28	1000	250	V. H
MTC21709-09	2 x 28	1300	250	V. H
MTC21710-10	2 x 33	860	300	V. H
MTC21711-11	2 x 50	1300	250	V. H
MTC21712-12	2 x 70	2100	200	V. H
MTC21713-13	4 x 1.7	250	400	V. H
MTC21714-14	4 x 5	450	300	V. H
MTC21715-15	4 x 11.5	1500	250	V. H
MTC21716-16	4 x 58	1000	200	V. H
MTC21717-17	4 x 90	1800	150	V. H

* MTC217XX-XXH-E last code " -E " : RoHS compliant, *Customer's specifications are welcome.

Rated Inductance : measured at 25°C and F @ 10KHz 50mV
Tolerance: + 50 - 30%
DC resistance: at 25°C
Testing voltage 500V,50Hz ,2 sec,(winding - winding)
Over temperature of winding < 55°C
Operating temperature range - 40°C ~ +125°C

