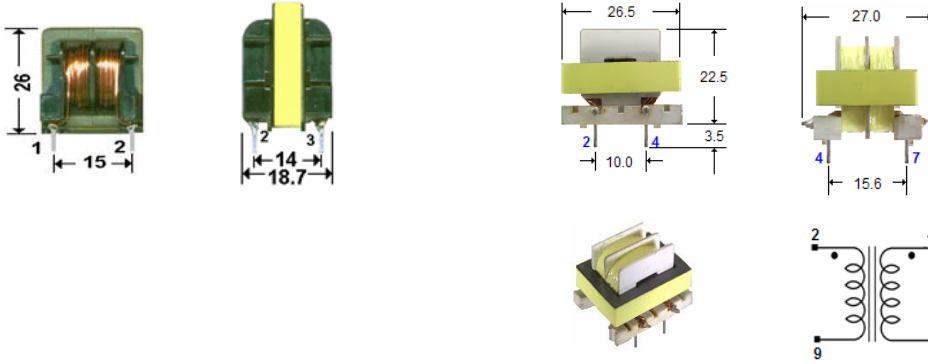


EE25 Type. MTC219XX- Series – 250VAC, 0.5A to 3 A



Type	Type	Inductance	R DC (typical)	Rated
Horizontal	Vertical	@ 10KHz	mOHM	Current (A)
MTC21901	MTC21951	2 X 1.0mH	43	3.0
MTC21902	MTC21952	2 X 2.0mH	75	2.8
MTC21903	MTC21953	2 X 3.3mH	107	2.5
MTC21904	MTC21954	2 X 4.7mH	139	2.0
MTC21905	MTC21955	2 X 6.8mH	109	2.5
MTC21906	MTC21956	2 X 6.8mH	124	2.0
MTC21907	MTC21957	2 X 8.2mH	142	2.0
MTC21908	MTC21958	2 X 10mH	185	1.5
MTC21909	MTC21959	2 X 16mH	185	1.5
MTC21910	MTC21960	2 X 16mH	295	1.3
MTC21911	MTC21961	2 X 20mH	252	1.3
MTC21912	MTC21962	2 X 33mH	305	1.3
MTC21913	MTC21963	2 X 33mH	710	1.0
MTC21914	MTC21964	2 X 47mH	590	1.0
MTC21915	MTC21965	2 X 56mH	638	1.0
MTC21916	MTC21966	2 X 68mH	710	1.0
MTC21917	MTC21967	2 X 85mH	940	0.5

*Customer's specifications are welcome.

Technical Data

Rated Inductance : measured at 25°C and f = 10KHz 50mV
 Tolerance: + 50 - 30%
 DC resistance: at 25°C
 Testing voltage 1500V,50Hz ,2 sec,(winding - winding)
 Over temperature of winding < 55°C
 Operating temperature range - 40°C ~ +125°C

