

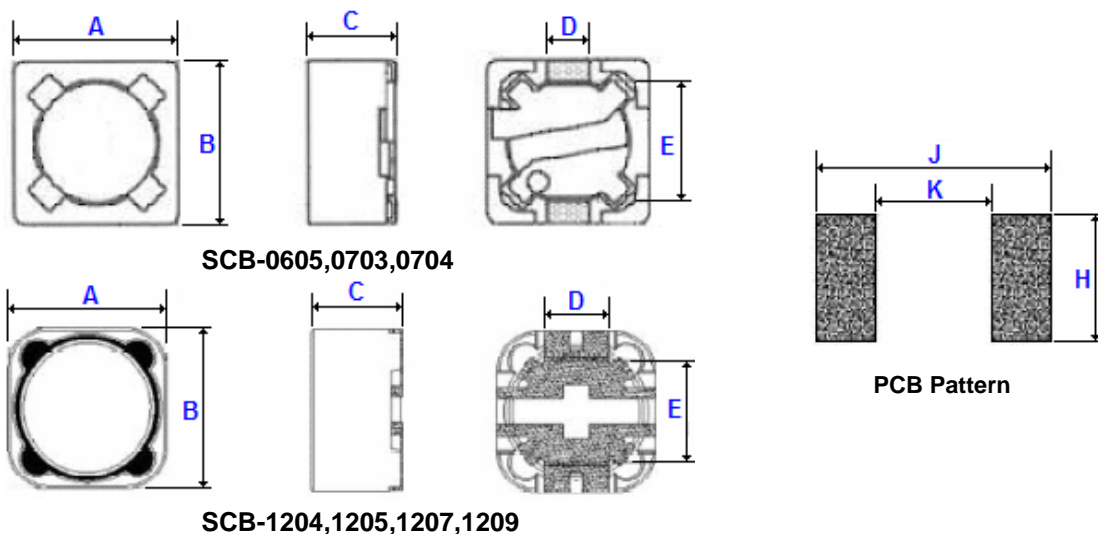
**Application Field**

- Notebook DC/DC Converter, Handeld devise, VGA card

**Features**

- Open Magnetic circuit construction
- Compact and thin
- Large Current and Low DCR

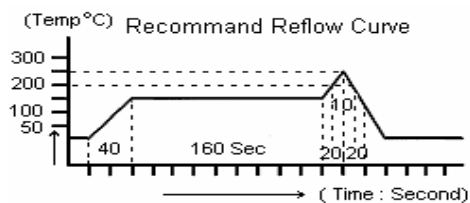
**Dimensions and footprint (unit:mm)**



TYPE	A	B	C	D	E	H (Ref)	J (Ref)	K (Ref)
SCB0605	6.0±0.3	6.2±0.3	5.0	5.9±0.3	1.5 Ref	1.90	7.40	4.60
SCB0703	7.3±0.3	7.3±0.3	3.4	1.8 Ref	5.0 Ref	2.20	8.00	4.80
SCB0704	7.3±0.2	7.3±0.2	4.5	1.8 Ref	5.0 Ref	2.20	8.00	4.80
SCB1204	12.0±0.3	12.0±0.3	4.5	5.0±0.2	7.6±0.2	5.40	12.80	7.00
SCB1205	12.0±0.3	12.0±0.3	6.0	5.0±0.2	7.6±0.2	5.40	12.80	7.00
SCB1207	12.0±0.3	12.0±0.3	8.0	5.0±0.2	7.6±0.2	5.40	12.80	7.00
SCB1209	12.0±0.3	12.0±0.3	10.0	5.0±0.2	7.6±0.2	5.40	12.00	7.00

**General Specification:**

1. Storage temp: -40°C ~ +125°C
2. Operating temp: -25°C ~ +105°C
3. Resistance to solder heat : 250°C 10secs
4. Lead free process



## SCB 1205 Series

Part No	L( $\mu$ H)	RDC( $\Omega$ )Max	IDC(A)Min
SCB1205-1R3E	1.3	0.012	8.000
SCB1205-2R2E	2.2	0.010	7.000
SCB1205-3R1E	3.1	0.017	6.000
SCB1205-3R3E	3.3	0.014	6.750
SCB1205-4R7E	4.7	0.018	6.200
SCB1205-6R8E	6.8	0.023	5.900
SCB1205-100E	10.0	0.025	4.000
SCB1205-120E	12.0	0.027	3.500
SCB1205-150E	15.0	0.030	3.300
SCB1205-180E	18.0	0.034	3.000
SCB1205-220E	22.0	0.036	2.800
SCB1205-270E	27.0	0.051	2.300
SCB1205-330E	33.0	0.057	2.100
SCB1205-390E	39.0	0.068	2.000
SCB1205-470E	47.0	0.075	1.800
SCB1205-560E	56.0	0.110	1.700
SCB1205-680E	68.0	0.120	1.500
SCB1205-820E	82.0	0.140	1.400
SCB1205-101E	100.0	0.160	1.300
SCB1205-121E	120.0	0.170	1.100
SCB1205-151E	150.0	0.230	1.000
SCB1205-181E	180.0	0.290	0.900
SCB1205-221E	220.0	0.400	0.800
SCB1205-271E	270.0	0.460	0.750
SCB1205-331E	330.0	0.510	0.680
SCB1205-391E	390.0	0.690	0.650
SCB1205-471E	470.0	0.770	0.580
SCB1205-561E	560.0	0.860	0.540
SCB1205-681E	680.0	1.200	0.480
SCB1205-751E	750.0	1.300	0.460
SCB1205-821E	820.0	1.340	0.430
SCB1205-102E	1000.0	1.530	0.400

## SCB1205 - XXXKE Code "E" : Lead free process and RoHS compliant

Inductance tolerance : N  $\pm$  30% M  $\pm$  20% L  $\pm$  15% K  $\pm$  10% J  $\pm$  5% IDC :  $\Delta$  L / L (0A)  $\leq$  65%Inductance tested : 1.3 $\mu$ H - 6.8 $\mu$ H / 100KHZ / 0.25V 10 $\mu$ H - 1000 $\mu$ H / 1KHZ / 0.25V

RoHS compliant

## SCB 1207 Series

Part No	L( $\mu$ H)	RDC( $\Omega$ )Max	IDC(A)Min
SCB1207-1R2E	1.2	0.007	9.800
SCB1207-2R2E	2.2	0.010	8.500
SCB1207-2R4E	2.4	0.012	8.000
SCB1207-2R7E	2.7	0.012	8.000
SCB1207-3R3E	3.3	0.013	7.800
SCB1207-3R5E	3.5	0.014	7.500
SCB1207-4R7E	4.7	0.016	6.800
SCB1207-5R6E	5.6	0.014	6.700
SCB1207-6R1E	6.1	0.018	6.600
SCB1207-6R8E	6.8	0.014	6.400
SCB1207-7R6E	7.6	0.020	5.900
SCB1207-100E	10.0	0.022	5.400
SCB1207-120E	12.0	0.024	4.900
SCB1207-150E	15.0	0.027	4.500
SCB1207-180E	18.0	0.040	3.900
SCB1207-220E	22.0	0.043	3.600
SCB1207-270E	27.0	0.046	3.400
SCB1207-330E	33.0	0.065	3.000
SCB1207-390E	39.0	0.073	2.750
SCB1207-470E	47.0	0.100	2.500
SCB1207-560E	56.0	0.110	2.350
SCB1207-680E	68.0	0.140	2.100
SCB1207-820E	82.0	0.160	1.950
SCB1207-101E	100.0	0.220	1.700
SCB1207-121E	120.0	0.250	1.600
SCB1207-151E	150.0	0.280	1.420
SCB1207-181E	180.0	0.350	1.300
SCB1207-221E	220.0	0.390	1.160
SCB1207-271E	270.0	0.560	1.060
SCB1207-331E	330.0	0.640	0.950
SCB1207-391E	390.0	0.700	0.880
SCB1207-471E	470.0	0.980	0.790
SCB1207-561E	560.0	1.070	0.730
SCB1207-681E	680.0	1.460	0.670
SCB1207-821E	820.0	1.640	0.600
SCB1207-102E	1000.0	1.820	0.550
SCB1207-222E	2200.0	4.750	0.500

## SCB1207 - XXXKE Code "E" : Lead free process and RoHS compliant

Inductance tolerance : N  $\pm$  30% M  $\pm$  20% L  $\pm$  15% K  $\pm$  10% J  $\pm$  5% IDC :  $\Delta$  L / L (0A)  $\leq$  65%Inductance tested : 1.2 $\mu$ H - 7.6 $\mu$ H / 100KHZ / 0.25V 10 $\mu$ H - 2200 $\mu$ H / 1KHZ / 0.25V

## SCB 1209 Series

Part No	L( $\mu$ H)	RDC( $\Omega$ )Max	IDC(A)Min
SCB1209-1R5E	1.5	0.005	16.000
SCB1209-2R4E	2.4	0.006	15.000
SCB1209-3R3E	3.3	0.009	14.000
SCB1209-5R0E	5.0	0.011	11.000
SCB1209-6R8E	6.8	0.013	10.000
SCB1209-8R2E	8.2	0.015	8.200
SCB1209-100E	10.0	0.018	7.500
SCB1209-120E	12.0	0.019	7.000
SCB1209-150E	15.0	0.024	6.000
SCB1209-180E	18.0	0.031	5.500
SCB1209-220E	22.0	0.039	5.000
SCB1209-270E	27.0	0.045	4.500
SCB1209-330E	33.0	0.050	4.000
SCB1209-390E	39.0	0.059	3.800
SCB1209-470E	47.0	0.069	3.500
SCB1209-560E	56.0	0.079	3.200
SCB1209-680E	68.0	0.088	3.000
SCB1209-820E	82.0	0.110	2.600
SCB1209-101E	100.0	0.140	2.200
SCB1209-121E	120.0	0.160	2.000
SCB1209-151E	150.0	0.200	1.800
SCB1209-181E	180.0	0.270	1.600
SCB1209-221E	220.0	0.300	1.500
SCB1209-271E	270.0	0.400	1.300
SCB1209-331E	330.0	0.450	1.200
SCB1209-391E	390.0	0.550	1.100
SCB1209-471E	470.0	0.600	1.000
SCB1209-561E	560.0	0.700	0.900
SCB1209-681E	680.0	0.840	0.820
SCB1209-821E	820.0	1.060	0.800
SCB1209-102E	1000.0	1.270	0.760
SCB1209-222E	2200.0	2.800	0.500

**SCB1209 - XXXKE Code "E" : Lead free process and RoHS compliant**

Inductance tolerance : N  $\pm$  30% M  $\pm$  20% L  $\pm$  15% K  $\pm$  10% J  $\pm$  5% IDC :  $\Delta$  L / L (0A)  $\leq$  65%

Inductance tested : 1.5 $\mu$ H - 8.2 $\mu$ H / 100KHZ / 0.25V 10 $\mu$ H - 2200 $\mu$ H / 1KHZ / 0.25V

