

CL0603 Series

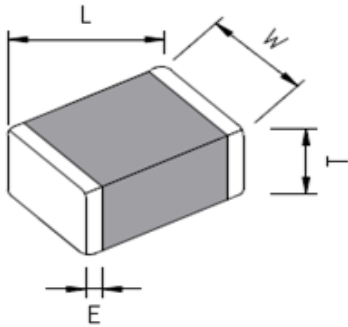
Features :

- Made of advanced ceramics and low resistance silver conductors provides excellent Q and SRF characteristics.
- Support operating frequency up to 10GHz.
- Provide high quality factor.
- Monolithic structure for high reliability.
- Excellent solderability and high heat resistance for either flow or reflow soldering.
- Operating temperature range of -55°C to +125°C
- Storage temperature range of -40°C to +85°C

Applications :

- RF circuit and module.
- Various automotive electronics.
- Mother board, tablet PC, laptop, desktop computer and peripheral equipment.
- Digital communication equipment.
- Various electronic equipment.

Shapes And Dimensions : (Unit :mm)



L	W	T	E
0.6 ± 0.03	0.3 ± 0.03	0.33 (max.)	0.1~0.2

Part Number Code :

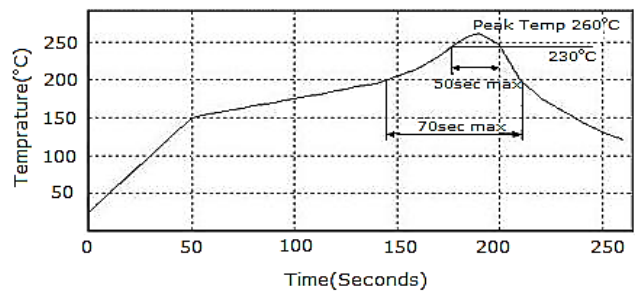
CL 0603 1N5 K -E

① ② ③ ④ ⑤

- 1 : Product Series
- 2 : Dimensions L x W
- 3 : Inductance Value
- 4 : Inductance Tolerance
- 5 : Lead-Free

Reflow Profile :

Peak Temp : 260°C
Max time above 230°C 50sec
Max time above 200°C 70sec



CL0603 Series

Part No.	Inductance (nH) Tolerance	Q Min.	Test Frequency (MHz)	SRF (GHz) Min.	DCR (Ω) Max.	Rated Current (mA) Max.
CL0603-1N0S	1.0 \pm 0.3nH	4	100	10.00	0.14	250
CL0603-1N2S	1.2 \pm 0.3nH	4	100	10.00	0.14	250
CL0603-1N5S	1.5 \pm 0.3nH	4	100	10.00	0.18	230
CL0603-1N8S	1.8 \pm 0.3nH	4	100	10.00	0.19	200
CL0603-2N2S	2.2 \pm 0.3nH	4	100	8.80	0.22	200
CL0603-2N7S	2.7 \pm 0.3nH	5	100	7.70	0.25	200
CL0603-3N3S	3.3 \pm 0.3nH	5	100	6.70	0.30	180
CL0603-3N9S	3.9 \pm 0.3nH	5	100	6.00	0.30	170
CL0603-4N7S	4.7 \pm 0.3nH	5	100	5.30	0.40	150
CL0603-5N1S	5.1 \pm 0.3nH	5	100	4.70	0.40	150
CL0603-5N6S	5.6 \pm 0.3nH	5	100	4.20	0.40	150
CL0603-6N8J	6.8 \pm 5%	5	100	3.50	0.50	150
CL0603-8N2J	8.2 \pm 5%	5	100	3.20	0.55	150
CL0603-10NJ	10 \pm 5%	5	100	2.80	0.65	150
CL0603-12NJ	12 \pm 5%	5	100	2.40	0.70	100
CL0603-15NJ	15 \pm 5%	5	100	2.20	0.80	100
CL0603-18NJ	18 \pm 5%	5	100	2.10	0.90	100
CL0603-22NJ	22 \pm 5%	5	100	1.80	1.20	100
CL0603-27NJ	27 \pm 5%	4	100	1.80	1.80	50
CL0603-33NJ	33 \pm 5%	4	100	1.70	2.10	50
CL0603-39NJ	39 \pm 5%	4	100	1.50	2.40	50