

CRHN6028 Series

Features :

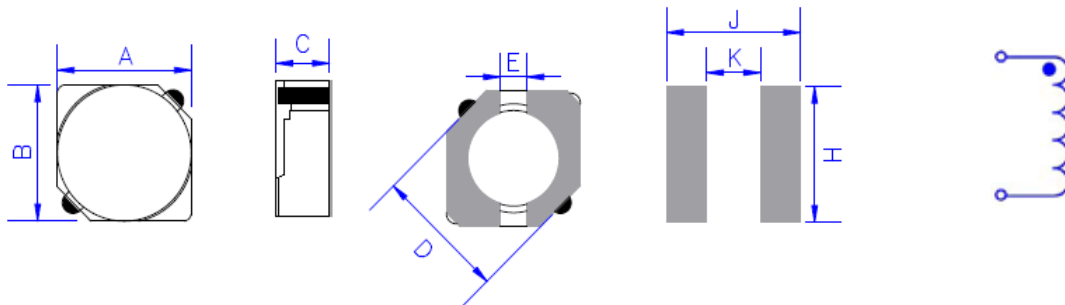
- DC power supply circuit
- Operating temperature range of -25°C to +105°C
- Storage temperature range of -40°C to +125°C
- Resistance to solder heat : 250°C 10secs
- Low DC resistance, High current capacity and high impedance characteristics
- Excellent solder heat resistance, Both flow and reflow soldering methods can be employed

Applications :

- LCD panels , Power line choke , DC-DC converter , laptops and PC



Shapes And Dimensions : (Unit :mm)



Type	A	B	C (max.)	D (max)	E (ref.)	H (ref.)	J (ref.)	K (ref.)
CRHN6028	5.7 ± 0.3	5.7 ± 0.3	3.0	8.2	2.0	6.3	6.3	2.0

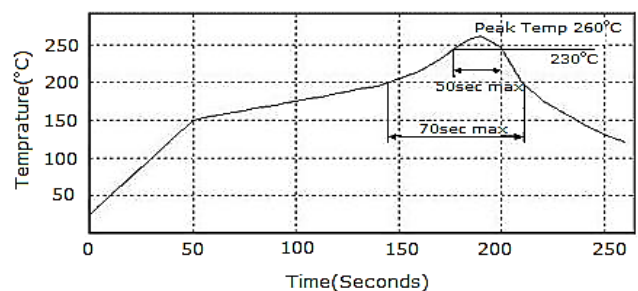
Part Number Code :

CRHN 6028 -1R5 M -E
 1 2 3 4 5

1. Product type
2. Size code
3. Inductance value (1R5 : 1.5uH 150 : 15uH)
4. Tolerance : N±30% M±20% L±15% K±10% J±5%
5. E: Lead free, Rohs compliant

Reflow Profile :

Peak Temp : 260°C
 Max time above 230°C 50sec
 Max time above 200°C 70sec



CRHN6028 Series

Part No.	L (uH)	Tolerance	Test Freq.	DCR(Ω) (max.)	IDC (A) (max.)
CRHN6028-1R0	1.00	M	100KHz 0.25V	0.017	2.800
CRHN6028-1R2	1.20	N	100KHz 0.25V	0.017	2.800
CRHN6028-1R8	1.80	N	100KHz 0.25V	0.018	2.700
CRHN6028-2R2	2.20	N	100KHz 0.25V	0.018	2.600
CRHN6028-2R5	2.50	N	100KHz 0.25V	0.018	2.600
CRHN6028-2R6	2.60	N	100KHz 0.25V	0.018	2.600
CRHN6028-3R0	3.00	N	10KHz 0.10V	0.024	2.400
CRHN6028-3R3	3.30	M	100KHz 0.25V	0.035	2.400
CRHN6028-4R2	4.20	N	10KHz 0.10V	0.031	2.200
CRHN6028-4R7	4.70	N / M	100KHz 0.25V	0.037	2.000
CRHN6028-5R3	5.30		100KHz 0.25V	0.038	1.900
CRHN6028-5R6	5.60	N / M	100KHz 0.25V	0.040	1.850
CRHN6028-6R2	6.20	N / M	100KHz 0.25V	0.045	1.800
CRHN6028-6R8	6.80	N	100KHz 0.25V	0.050	1.820
CRHN6028-8R2	8.20	N	100KHz 0.25V	0.058	1.850
CRHN6028-100	10.00	N / M	1.0KHz 0.25V	0.065	1.300
CRHN6028-120	12.00	N / M	1.0KHz 0.25V	0.076	1.200
CRHN6028-150	15.00	M	1.0KHz 0.25V	0.103	1.100
CRHN6028-180	18.00	N / M	1.0KHz 0.25V	0.110	1.000
CRHN6028-220	22.00	N / M	1.0KHz 0.25V	0.122	0.900
CRHN6028-260	26.00	M	1.0KHz 0.25V	0.165	0.800
CRHN6028-270	27.00	M	1.0KHz 0.25V	0.180	0.770
CRHN6028-330	33.00	N / M	1.0KHz 0.25V	0.189	0.750
CRHN6028-390	39.00	N / M	10.0KHz 0.10V	0.212	0.700
CRHN6028-470	47.00	N / M	1.0KHz 0.25V	0.250	0.620
CRHN6028-560	56.00	M	1.0KHz 0.25V	0.305	0.580
CRHN6028-650	65.00	N	1.0KHz 0.25V	0.350	0.540
CRHN6028-680	68.00		100KHz 0.25V	0.355	0.520
CRHN6028-820	82.00	N	10.0KHz 0.25V	0.463	0.600
CRHN6028-101	100.00	N	1.0KHz 0.25V	0.520	0.420
CRHN6028-121	120.00	M	1.0KHz 0.25V	0.850	0.400
CRHN6028-151	150.00	M	1.0KHz 0.25V	0.980	0.370
CRHN6028-181	180.00	N	1.0KHz 0.25V	1.050	0.350
CRHN6028-221	220.00	M	1.0KHz 0.25V	1.500	0.220
CRHN6028-331	330.00		1.0KHz 0.25V	2.500	0.210
CRHN6028-471	470.00	M	1.0KHz 0.25V	3.000	0.200
CRHN6028-561	560.00	M	1.0KHz 0.25V	3.500	0.180
CRHN6028-681	680.00	M	10.0KHz 0.25V	4.500	0.130
CRHN6028-102	1000.00	M	1.0KHz 0.10V	6.000	0.140

Code "-E" : Lead free process and RoHs compliant

Inductance tolerance : N±30% M±20% L±15% K±10% J±5%

IDC : $\Delta L/L(0A) \leq 35\%$