

### CRHN7018 Series

#### Features :

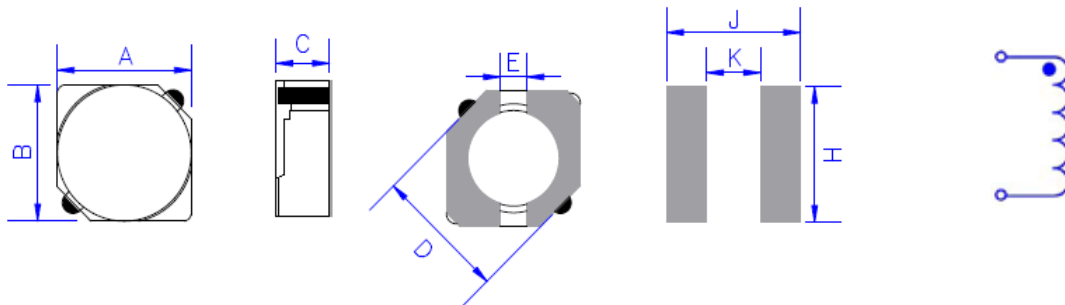
- DC power supply circuit
- Operating temperature range of -25°C to +105°C
- Storage temperature range of -40°C to +125°C
- Resistance to solder heat : 250°C 10secs
- Low DC resistance, High current capacity and high impedance characteristics
- Excellent solder heat resistance, Both flow and reflow soldering methods can be employed

#### Applications :

- LCD panels , Power line choke , DC-DC converter , laptops and PC



#### Shapes And Dimensions : (Unit :mm)



Type	A	B	C (max.)	D (max)	E (ref.)	H (ref.)	J (ref.)	K (ref.)
CRHN7018	6.7 ± 0.3	6.7 ± 0.3	2.0	9.6	2.0	7.3	7.3	2.0

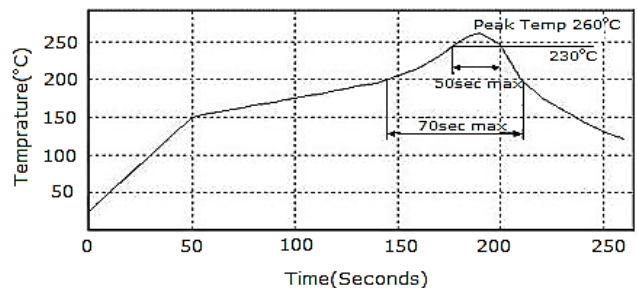
#### Part Number Code :

CRHN 7018 -1R5 M -E  
 1 2 3 4 5

1. Product type
2. Size code
3. Inductance value (1R5 : 1.5uH 150 : 15uH)
4. Tolerance : N±30% M±20% L±15% K±10% J±5%
5. E: Lead free, Rohs compliant

#### Reflow Profile :

Peak Temp : 260°C  
 Max time above 230°C 50sec  
 Max time above 200°C 70sec



### CRHN7018 Series

Part No.	L (uH)	Tolerance	Test Freq.	DCR( $\Omega$ ) (max.)	IDC (A) (max.)
CRHN7018-R68	0.68	N	100KHz 0.25V	0.017	5.000
CRHN7018-1R0	1.00	N	100KHz 0.50V	0.030	4.500
CRHN7018-2R2	2.20	N	100KHz 0.25V	0.042	2.600
CRHN7018-3R3	3.30	M	100KHz 0.25V	0.050	3.000
CRHN7018-4R7	4.70	N	100KHz 0.25V	0.066	2.500
CRHN7018-6R8	6.80	N / M	100KHz 0.25V	0.124	2.000
CRHN7018-8R2	8.20	N	100KHz 0.25V	0.140	2.000
CRHN7018-100	10.00	M	1.0KHz 0.25V	0.170	1.740
CRHN7018-150	15.00	N / M	1.0KHz 0.25V	0.246	1.300
CRHN7018-180	18.00	M	100KHz 0.25V	0.340	1.400
CRHN7018-220	22.00	N / M	1.0KHz 0.25V	0.456	0.920
CRHN7018-330	33.00	M	1.0KHz 0.25V	0.566	0.740
CRHN7018-470	47.00	N / M	1.0KHz 0.25V	0.672	0.750
CRHN7018-101	100.00	M	1.0KHz 0.25V	1.500	0.500

Code "-E" : Lead free process and RoHs compliant

Inductance tolerance : N $\pm$ 30% M $\pm$ 20% L $\pm$ 15% K $\pm$ 10% J $\pm$ 5%

IDC :  $\Delta L/L(0A) \leq 35\%$