

ML4532 Series

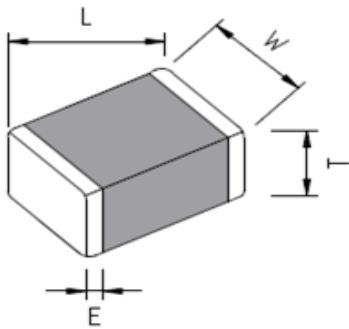
Features :

- Produced from magnetic material and with multilayer technology, not containing any wire windings.
- Dimensions are unified for automatic mounting.
- No cross coupling between inductors due to magnetic shield and is suitable for high density printed circuit boards.
- Monolithic structure for high reliability.
- Excellent solderability and high heat resistance for either flow or reflow soldering.
- Operating temperature range of -40°C to +85°C
- Storage temperature range of -10°C to +40°C

Applications :

- Circuit where a stable ground is unavailable.
- Various automotive electronics.
- Mother board, tablet PC, laptop, desktop computer and peripheral equipment.
- Digital communication equipment.
- Various electronic equipment.

Shapes And Dimensions : (Unit :mm)



L	W	T	E
4.5 ± 0.15	3.2 ± 0.15	*	0.6~1.0

*Please refer to the detailed figures shown in the ML4532 series table.

Part Number Code :

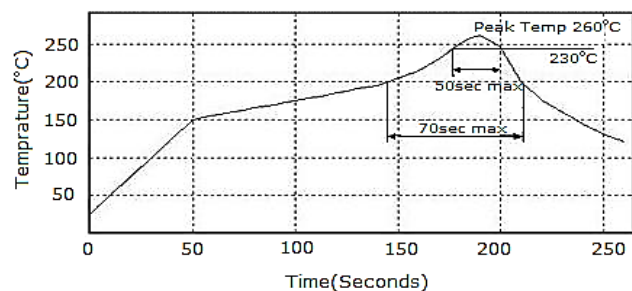
ML 4532 1N5 K -E

① ② ③ ④ ⑤

- 1 : Product Series
- 2 : Dimensions L x W
- 3 : Inductance Value
- 4 : Inductance Tolerance
- 5 : Lead-Free

Reflow Profile :

Peak Temp : 260°C
Max time above 230°C 50sec
Max time above 200°C 70sec



ML4532 Series

Part No.	Inductance (μH)	Tolerance	Q Min.	Test Freq. (MHz)	SRF (GHz) Min.	DCR (Ω) Max.	Rated Current (mA) Max.	Thickness (mm)
ML4532-1R0	1.00	M / K	35	10	75	0.40	100	1.5 ± 0.3
ML4532-1R2	1.20	M / K	35	10	65	0.50	100	1.5 ± 0.3
ML4532-1R5	1.50	M / K	35	10	60	0.50	50	1.5 ± 0.3
ML4532-1R8	1.80	M / K	35	10	55	0.50	50	1.5 ± 0.3
ML4532-2R2	2.20	M / K	35	10	50	0.60	50	1.5 ± 0.3
ML4532-2R7	2.70	M / K	35	10	45	0.60	50	1.5 ± 0.3
ML4532-3R3	3.30	M / K	35	10	41	0.70	50	1.5 ± 0.3
ML4532-3R9	3.90	M / K	35	10	38	0.80	50	1.5 ± 0.3
ML4532-4R7	4.70	M / K	35	10	35	0.90	50	1.5 ± 0.3
ML4532-5R6	5.60	M / K	40	4	32	0.70	25	1.5 ± 0.3
ML4532-6R8	6.80	M / K	40	4	29	0.70	25	1.5 ± 0.3
ML4532-8R2	8.20	M / K	40	4	26	0.90	25	1.5 ± 0.3
ML4532-100	10.00	M / K	40	2	24	1.00	25	1.5 ± 0.3
ML4532-120	12.00	M / K	40	2	22	1.05	15	1.5 ± 0.3
ML4532-150	15.00	M / K	35	1	19	0.70	5	1.5 ± 0.3
ML4532-180	18.00	M / K	35	1	18	0.70	5	1.5 ± 0.3
ML4532-220	22.00	M / K	35	1	16	0.90	5	1.5 ± 0.3
ML4532-270	27.00	M / K	35	1	14	0.90	5	1.5 ± 0.3
ML4532-330	33.00	M / K	35	0.4	13	1.05	5	1.5 ± 0.3
ML4532-390	39.00	M / K	40	2	11	3.00	10	1.5 ± 0.3
ML4532-470	47.00	M / K	40	2	10	3.40	10	1.5 ± 0.3
ML4532-560	56.00	M / K	40	2	9.5	3.80	5	1.5 ± 0.3
ML4532-680	68.00	M / K	40	1	9.5	3.00	5	1.5 ± 0.3
ML4532-820	82.00	M / K	40	1	9	3.40	5	1.5 ± 0.3
ML4532-101	100.00	M / K	40	1	8	3.80	5	1.5 ± 0.3
ML4532-121	120.00	M / K	30	0.4	6	3.00	3	1.5 ± 0.3
ML4532-151	150.00	M / K	30	0.4	5.5	3.40	3	2.2 ± 0.3
ML4532-181	180.00	M / K	30	0.4	5	3.80	3	2.2 ± 0.3
ML4532-221	220.00	M / K	30	0.4	4.5	4.20	3	2.2 ± 0.3

Inductanc tolerance : N±30% M±20% L±15% K±10% J±5%