

BCF453215 Series

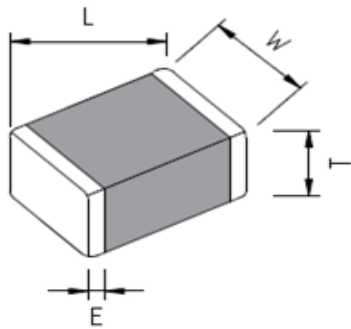
Features :

- For power supply units with high frequency noise
- Large withstand current (allowable current up to 6A)
- Resistance to high energy
- High reliability optimal for circuit designs which require high impedances and large currents to combat radiated noise on power lines, etc.
- Operating temperature range of -55°C to +125°C
- Storage temperature range of -40°C to +85°C

Applications :

- For radiation of the power line and conductance of the high frequency noise.
- Provide waveform correction of digital signals and high frequency noise countermeasures in various types of digital equipment.
- Various automotive electronics.
- Mother board, tablet PC, laptop, desktop computer and peripheral equipment.
- Mobile devices which require lower power consumption.

Shapes And Dimensions : (Unit :mm)



L	W	T	E
4.5 ± 0.2	3.2 ± 0.2	1.5 ± 0.2	0.6~1.0

Part Number Code :

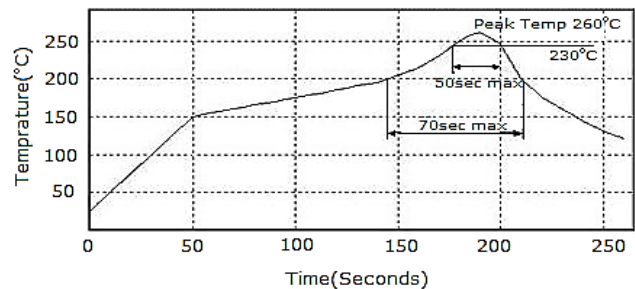
BCF 453215 A 601 -E

① ② ③ ④ ⑤

- 1 : Series
- 2 : Dimensions L x W x T
- 3 : Material Code
- 4 : Normal Impedance
- 5 : Lead-Free

Reflow Profile :

Peak Temp : 260°C
Max time above 230°C 50sec
Max time above 200°C 70sec



BCF453215 Series

Part No.	Impedance Ω±25% @100MHz	DCR(Ω) (max.)	Rated Current (mA) (max.)
BCF453215A681 2.5A	680 ± 25%	0.06	2500
BCF453215A102 0.5A	1000 ± 25%	1.30	500
BCF453215A132 2A	1300 ± 25%	0.10	2000

