

### BF060303 Series

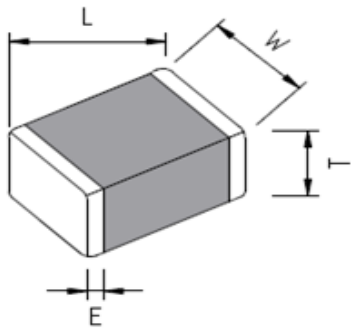
#### Features :

- These small size chips generate high impedance.
- Excellent solderability and high heat resistance for either flow or reflow soldering.
- Monolithic structure for high reliability.
- Low DC resistance structure of electrode prevents wasteful electric power consumption.
- Operating temperature range of -55°C to +125°C
- Storage temperature range of -10°C to +40°C

#### Applications :

- Circuit where a stable ground is unavailable.
- Various automotive electronics, various electronic equipment, digital communication equipment.
- Mother board, tablet PC, laptop, desktop computer and peripheral equipment.
- Mobile phone, smart phone, PND.

#### Shapes And Dimensions : (Unit :mm)



L	W	T	E
0.6 ± 0.03	0.3 ± 0.03	0.3 ± 0.03	0.1~0.2

#### Part Number Code :

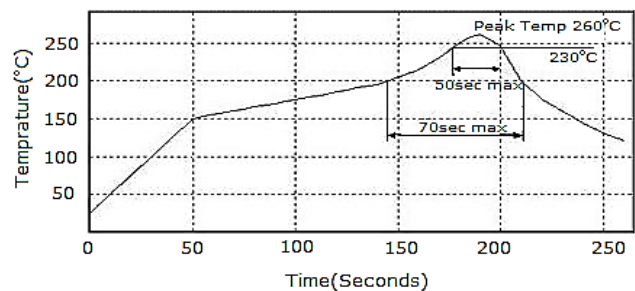
**BF 060303 A 121 -E**

①      ②      ③      ④      ⑤

- 1 : Series
- 2 : Dimensions L x W x T
- 3 : Material Code
- 4 : Normal Impedance
- 5 : Lead-Free

#### Reflow Profile :

Peak Temp : 260°C  
Max time above 230°C 50sec  
Max time above 200°C 70sec



**BF060303 Series**

Part No.	Impedance $\Omega \pm 25\% @ 100\text{MHz}$	DCR( $\Omega$ ) (max.)	Rated Current (mA) (max.)
BF060303A400	40	0.30	300
BF060303A500	50	0.30	300
BF060303A600	60	0.35	300
BF060303A700	70	0.35	300
BF060303A121	120	0.45	200
BF060303A151	150	0.50	200
BF060303A221	220	0.75	200
BF060303A301	300	0.90	150