

BF160808 Series

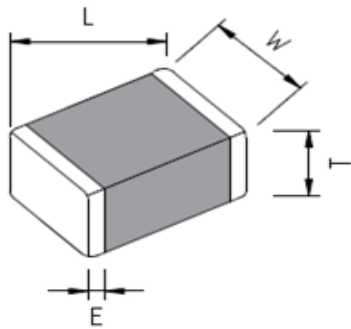
Features :

- These small size chips generate high impedance.
- Excellent solderability and high heat resistance for either flow or reflow soldering.
- Monolithic structure for high reliability.
- Low DC resistance structure of electrode prevents wasteful electric power consumption.
- Operating temperature range of -55°C to +125°C
- Storage temperature range of -10°C to +40°C

Applications :

- Circuit where a stable ground is unavailable.
- Various automotive electronics, various electronic equipment, digital communication equipment.
- Mother board, tablet PC, laptop, desktop computer and peripheral equipment.
- Mobile phone, smart phone, PND.

Shapes And Dimensions : (Unit :mm)



L	W	T	E
1.6 ± 0.15	0.8 ± 0.15	0.8 ± 0.15	0.2~0.6

Part Number Code :

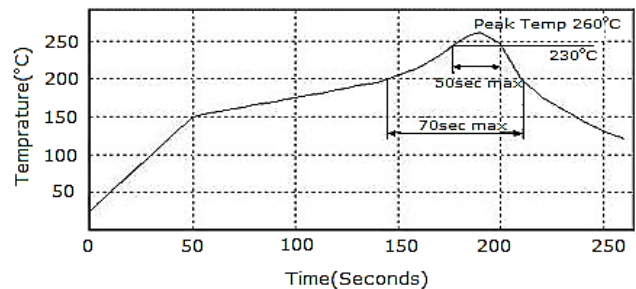
BF 160808 A 121 -E

① ② ③ ④ ⑤

- 1 : Series
- 2 : Dimensions L x W x T
- 3 : Material Code
- 4 : Normal Impedance
- 5 : Lead-Free

Reflow Profile :

Peak Temp : 260°C
Max time above 230°C 50sec
Max time above 200°C 70sec



BF160808 Series

Part No.	Impedance $\Omega \pm 25\% @ 100\text{MHz}$	DCR(Ω) (max.)	Rated Current (mA) (max.)
BF160808A190	19	0.10	400
BF160808A310	31	0.10	400
BF160808A520	52	0.15	400
BF160808A600	60	0.15	400
BF160808A800	80	0.15	400
BF160808A101	100	0.15	400
BF160808A121	120	0.15	400
BF160808A151	150	0.15	400
BF160808A181	180	0.20	400
BF160808A201	200	0.20	400
BF160808A221	220	0.20	400
BF160808A301	300	0.30	400
BF160808A401	400	0.30	400
BF160808A451	450	0.30	400
BF160808A601	600	0.35	400
BF160808A751	750	0.35	400
BF160808A102	1000	0.55	300
BF160808A152	1500	0.60	200
BF160808B050	5	0.08	700
BF160808B300	30	0.20	500
BF160808B600	60	0.25	450
BF160808B101	100	0.30	450
BF160808B121	120	0.30	450
BF160808B151	150	0.35	450
BF160808B221	220	0.35	450
BF160808B301	300	0.35	450
BF160808B471	470	0.35	450
BF160808B601	600	0.40	450
BF160808B102	1000	0.60	300
BF160808K471	470	0.55	200
BF160808K601	600	0.65	200
BF160808K751	750	0.70	200
BF160808K102	1000	0.85	100
BF160808K152	1500	0.90	100
BF160808K202	2000	1.00	100
BF160808K252	2500	1.00	50
BF160808H070	7	0.10	900
BF160808H100	10	0.10	900
BF160808H680	68	0.10	700
BF160808H121	120	0.30	300
BF160808H301	300	0.35	300
BF160808H601	600	0.65	300
BF160808H102	1000	1.10	50