

BF201209 Series

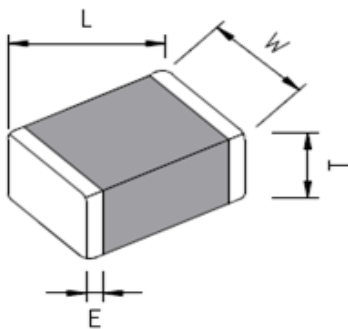
Features :

- These small size chips generate high impedance.
- Excellent solderability and high heat resistance for either flow or reflow soldering.
- Monolithic structure for high reliability.
- Low DC resistance structure of electrode prevents wasteful electric power consumption.
- Operating temperature range of -55°C to +125°C
- Storage temperature range of -10°C to +40°C

Applications :

- Circuit where a stable ground is unavailable.
- Various automotive electronics, various electronic equipment, digital communication equipment.
- Mother board, tablet PC, laptop, desktop computer and peripheral equipment.
- Mobile phone, smart phone, PND.

Shapes And Dimensions : (Unit :mm)



L	W	T	E
2.0 ± 0.20	1.25 ± 0.20	0.9 +0.15/ -0.2	0.2~0.8

Part Number Code :

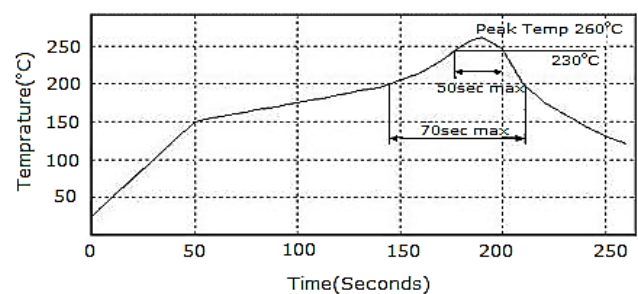
BF 201209 A 121 -E

① ② ③ ④ ⑤

- 1 : Series
- 2 : Dimensions L x W x T
- 3 : Material Code
- 4 : Normal Impedance
- 5 : Lead-Free

Reflow Profile :

Peak Temp : 260°C
Max time above 230°C 50sec
Max time above 200°C 70sec



BF201209 Series

Part No.	Impedance $\Omega \pm 25\%$ @100MHz	DCR(Ω) (max.)	Rated Currnt (mA) (max.)
BF201209A170	17	0.10	300
BF201209A260	26	0.10	300
BF201209A310	31	0.10	300
BF201209A520	52	0.15	300
BF201209A600	60	0.15	300
BF201209A800	80	0.15	300
BF201209A101	100	0.20	300
BF201209A121	120	0.20	300
BF201209A151	150	0.20	300
BF201209A221	220	0.25	300
BF201209A301	300	0.25	300
BF201209A401	400	0.30	300
BF201209A531	530	0.35	300
BF201209A601	600	0.35	300
BF201209A102	1000	0.45	300
BF201209A152	1500	0.70	300
BF201209B050	5	0.07	500
BF201209B300	30	0.15	300
BF201209B600	60	0.15	300
BF201209B750	75	0.20	300
BF201209B101	100	0.20	300
BF201209B121	120	0.20	300
BF201209B221	220	0.25	200
BF201209B301	300	0.25	200
BF201209B601	600	0.25	200
BF201209B751	750	0.30	200
BF201209B102	1000	0.30	200
BF201209B152	1500	0.35	200
BF201209B182	1800	0.40	200
BF201209B202	2000	0.40	200
BF201209B222	2200	0.50	200
BF201209B252	2500	0.60	200
BF201209B272	2700	0.60	200
BF201209K800	80	0.30	300
BF201209K601	600	0.35	200
BF201209K751	750	0.35	200
BF201209K102	1000	0.40	200
BF201209K122	1200	0.40	200
BF201209K152	1500	0.45	200
BF201209K202	2000	0.60	200
BF201209K252	2500	0.70	200
BF201209H050	5	0.07	500
BF201209H070	7	0.07	500
BF201209H121	120	0.35	300
BF201209H601	600	0.65	200