

BF321611 Series

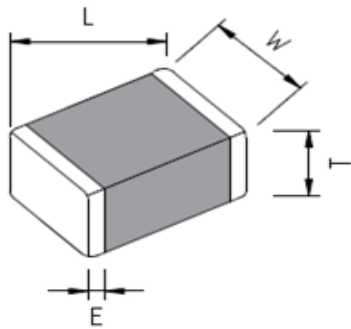
Features :

- These small size chips generate high impedance.
- Excellent solderability and high heat resistance for either flow or reflow soldering.
- Monolithic structure for high reliability.
- Low DC resistance structure of electrode prevents wasteful electric power consumption.
- Operating temperature range of -55°C to +125°C
- Storage temperature range of -10°C to +40°C

Applications :

- Circuit where a stable ground is unavailable.
- Various automotive electronics, various electronic equipment, digital communication equipment.
- Mother board, tablet PC, laptop, desktop computer and peripheral equipment.
- Mobile phone, smart phone, PND.

Shapes And Dimensions : (Unit :mm)



L	W	T	E
3.2 ± 0.20	1.6 ± 0.20	1.1 ± 0.20	0.4~1.0

Part Number Code :

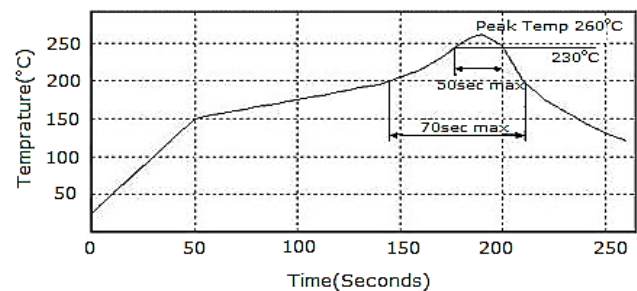
BF 321611 A 121 -E

① ② ③ ④ ⑤

- 1 : Series
- 2 : Dimensions L x W x T
- 3 : Material Code
- 4 : Normal Impedance
- 5 : Lead-Free

Reflow Profile :

Peak Temp : 260°C
Max time above 230°C 50sec
Max time above 200°C 70sec



BF321611 Series

Part No.	Impedance $\Omega \pm 25\% @ 100\text{MHz}$	DCR(Ω) (max.)	Rated Current (mA) (max.)
BF321611A190	19	0.10	800
BF321611A260	26	0.10	800
BF321611A310	31	0.10	800
BF321611A520	52	0.15	800
BF321611A600	60	0.15	500
BF321611A700	70	0.15	500
BF321611A101	100	0.20	450
BF321611A121	120	0.20	450
BF321611A151	150	0.20	450
BF321611A221	220	0.20	350
BF321611A301	300	0.20	350
BF321611A401	400	0.25	350
BF321611A601	600	0.25	350
BF321611A751	750	0.30	350
BF321611A102	1000	0.35	350
BF321611A152	1500	0.40	350
BF321611A182	1800	0.40	350
BF321611B190	19	0.10	500
BF321611B310	31	0.15	500
BF321611B600	60	0.20	500
BF321611B101	100	0.25	300
BF321611B121	120	0.25	300
BF321611B201	200	0.25	300
BF321611B301	300	0.30	300
BF321611B601	600	0.35	300
BF321611B751	750	0.35	300
BF321611B102	1000	0.40	200
BF321611B152	1500	0.45	200
BF321611B202	2000	0.45	200
BF321611K601	600	0.50	200
BF321611K102	1000	0.70	200
BF321611K122	1200	0.70	200
BF321611H050	5	0.07	500
BF321611H070	7	0.07	500
BF321611H301	300	0.30	300
BF321611H601	600	0.45	300