

BF453215 Series

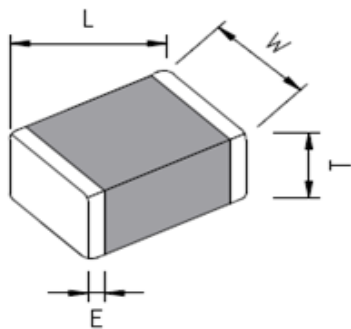
Features :

- These small size chips generate high impedance.
- Excellent solderability and high heat resistance for either flow or reflow soldering.
- Monolithic structure for high reliability.
- Low DC resistance structure of electrode prevents wasteful electric power consumption.
- Operating temperature range of -55°C to +125°C
- Storage temperature range of -10°C to +40°C

Applications :

- Circuit where a stable ground is unavailable.
- Various automotive electronics, various electronic equipment, digital communication equipment.
- Mother board, tablet PC, laptop, desktop computer and peripheral equipment.
- Mobile phone, smart phone, PND.

Shapes And Dimensions : (Unit :mm)



L	W	T	E
4.5 ± 0.20	3.2 ± 0.20	1.5 ± 0.20	0.6~1.0

Part Number Code :

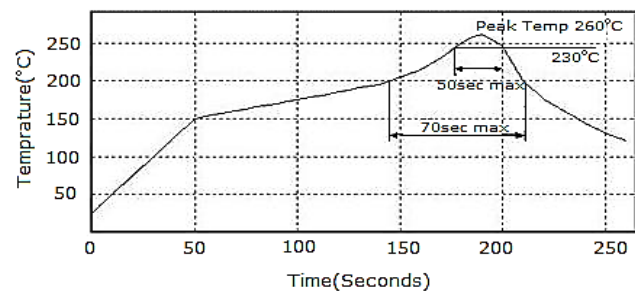
BF 453215 A 121 -E

① ② ③ ④ ⑤

- 1 : Series
- 2 : Dimensions L x W x T
- 3 : Material Code
- 4 : Normal Impedance
- 5 : Lead-Free

Reflow Profile :

Peak Temp : 260°C
Max time above 230°C 50sec
Max time above 200°C 70sec



BF453215 Series

Part No.	Impedance Ω±25% @100MHz	DCR(Ω) (max.)	IDC (mA) (max.)
BF453215A310	31	0.10	500
BF453215A600	60	0.20	500
BF453215A121	120	0.20	500
BF453215B151	150	0.20	500
BF453215B700	70	0.20	500

