

BFF160808 Series

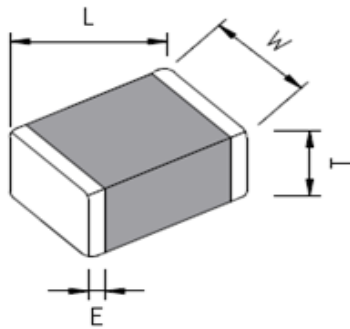
Features :

- The BFF series is similar to BF series at frequency below 100MHz. How ever at 1GHz, the impedance is 3 times larger.
- The BFF series is intended for high speed signal lines as this series provides significant impedance across a broad frequency range. Therefore this series is ideal for high speed signal lines.
- The complete magnetic shielded structure minimizes crosstalk.
- Operating temperature range of -55°C to +125°C
- Storage temperature range of -40°C to +85°C

Applications :

- Circuit where a stable ground is unavailable.
- Various automotive electronics, various electronic equipment, digital communication equipment.
- Mother board, tablet PC, laptop, desktop computer and peripheral equipment.
- Mobile phone, smart phone, PND.
- This BFF series realize high impedance at 1GHz and is suitable for noise suppression of digital interface from 500MHz to GHz range.

Shapes And Dimensions : (Unit :mm)



L	W	T	E
1.6 ± 0.15	0.8 ± 0.15	0.8 ± 0.15	0.4 ± 0.2

Part Number Code :

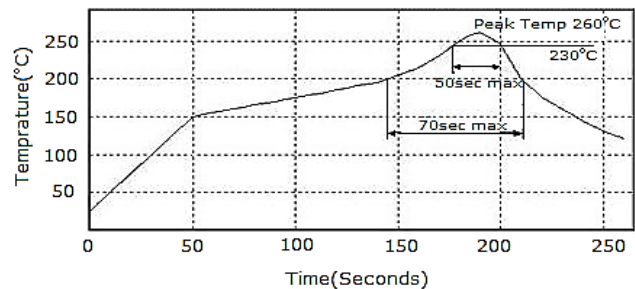
BFF 160808 A 600 -E

① ② ③ ④ ⑤

- 1 : Series
- 2 : Dimensions L x W x T
- 3 : Material Code
- 4 : Normal Impedance
- 5 : Lead-Free

Reflow Profile :

Peak Temp : 260°C
Max time above 230°C 50sec
Max time above 200°C 70sec



BFF160808 Series

Part No.	Impedance $\Omega \pm 25\%$ @100MHz	Impedance $\Omega \pm 40\%$ @1GHz	DCR(Ω) (max.)	Rated Current (mA) (max.)
BFF160808A121	120	140 $\pm 40\%$	0.25	300
BFF160808A221	220	300 $\pm 40\%$	0.50	200
BFF160808A301	300	400 $\pm 40\%$	0.50	200
BFF160808A331	330	400 $\pm 40\%$	0.50	200
BFF160808A471	470	500 $\pm 40\%$	0.70	200
BFF160808A601	600	600 $\pm 40\%$	0.90	100
BFF160808A801	800	1000 $\pm 40\%$	1.50	50
BFF160808A102	1000	1200 $\pm 40\%$	1.50	50
BFF160808A122	1200	1000 $\pm 40\%$	1.50	50
BFF160808A152 RDC7	1500	1300 $\pm 40\%$	0.70	500
BFF160808B121	120	300 $\pm 40\%$	0.25	300
BFF160808B221	220	500 $\pm 40\%$	0.50	200
BFF160808B301	300	800 $\pm 40\%$	0.50	200
BFF160808B331	330	800 $\pm 40\%$	0.50	200
BFF160808B471	470	800 (min.)	1.20	100
BFF160808B601	600	1200 (min.)	1.50	100
BFF160808B801	800	1200 (min.)	1.80	100
BFF160808B102	1000	1700 (typ.)	1.80	50
BFF160808H121	120	500 $\pm 40\%$	0.50	200
BFF160808H221	220	1100 $\pm 40\%$	0.80	100
BFF160808H301	300	1300 $\pm 40\%$	1.20	50
BFF160808H331	330	1300 $\pm 40\%$	1.20	50
BFF160808H471	470	2100 $\pm 40\%$	1.20	50
BFF160808H601	600	3000 $\pm 40\%$	1.20	50
BFF160808K121	120	300 (typ.)	0.30	300
BFF160808K221	220	500 (typ.)	0.50	200
BFF160808K301	300	800 (typ.)	0.60	200
BFF160808K331	330	800 (typ.)	0.60	200
BFF160808K471	470	800 (typ.)	0.70	200
BFF160808K601	600	1000 (typ.)	0.80	200
BFF160808K801	800	1200 (typ.)	0.90	100
BFF160808K102	1000	1400 (typ.)	1.00	100