

## BHA201209 Series

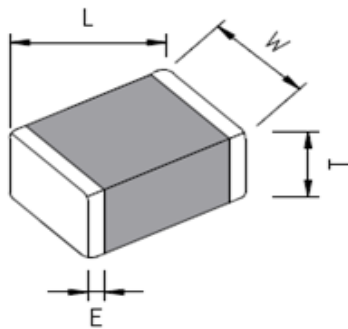
### Features :

- Use on particularly high current circuits due to its extremely low DC resistance.
- Can match power lines to a maximum of 6A DC.
- Operating temperature range of -55°C to +125°C
- Storage temperature range of -40°C to +85°C

### Applications :

- Various power lines of electronic equipment.
- Various automotive electronics.
- Mother board, tablet PC, laptop, desktop computer and peripheral equipment.
- Digital communication equipment.

### Shapes And Dimensions : (Unit :mm)



L	W	T	E
2.0 ± 0.2	1.25 ± 0.2	0.9+0.15/-0.2	0.2~0.8

### Part Number Code :

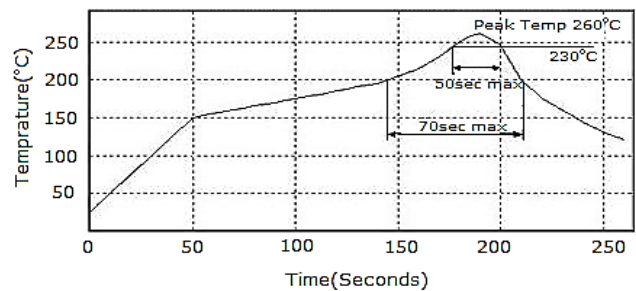
**BHA 201209 A 121 -E**

①      ②      ③      ④      ⑤

- 1 : Series
- 2 : Dimensions L x W x T
- 3 : Material Code
- 4 : Normal Impedance
- 5 : Lead-Free

### Reflow Profile :

Peak Temp : 260°C  
Max time above 230°C 50sec  
Max time above 200°C 70sec



**BHA201209 Series**

Part No.	Impedance $\Omega \pm 25\% @ 100\text{MHz}$	DCR( $\Omega$ ) (max.)	Rated Current (mA) (max.)
BHA201209H070	7	0.008	6000
BHA201209H110	11	0.008	6000
BHA201209A170	17	0.008	6000
BHA201209A300	30	0.008	6000
BHA201209A390 RDC008	39	0.008	6000
BHA201209A600	60	0.020	6000
BHA201209A800	80	0.020	6000
BHA201209A121	120	0.025	6000